



# MEDICAL WASHER DISINFECTORS SWD



Benefit from our many years of experience in manufacturing, consulting, sales, project planning, service and state-of-the-art equipment technology so that you can concentrate on your core tasks



SWD

# WELCOME

With more than 45 years of experience in the field of medical and laboratory technology, the second generation of SCHLUMBOHM Medizin-Labor-Technologie-Hamburg GmbH is already successfully meeting the demanding requirements of the market. As early as 2014, company founder Hans-Joachim Schlumbohm retired from day-to-day operations and handed over the management to his son Tobias Schlumbohm. Schlumbohm Senior continues to be responsible for research and development in the company.



As a manufacturer of steam sterilizers, washer disinfectors, care combinations, stainless steel furniture, and systems for the treatment of medical waste, we supply hospitals and laboratories worldwide with our medical and laboratory technology. We have over 120 highly qualified employees working at our production sites in Germany and Italy.

In this context, we have a team of over 20 service technicians available to you 365 days a year, 24 hours a day, providing immediate service throughout Europe. The management in Hamburg handles accepting orders and the scheduling of all field employees

**Tobias Schlumbohm**  
CEO

**Hans-Joachim Schlumbohm**  
Shareholder

The correct determination of requirements and the preparation of planning proposals are an absolute must. Professional project support, right up to installation and commissioning, is just as important as seamless customer service. With our solutions, you not only receive technically mature systems but also the assurance that you have a professional partner taking care of your functional processes.

An important key to our long-term success and market acceptance is ensuring quality, operational reliability, and functionality in day-to-day operations while harmonizing these features with economic aspects.

## SWD PRODUCT INFORMATION

- 02 WELCOME
- 04 MEDICAL WASHER DISINFECTORS
- 06 TECHNICAL SPECIFICATIONS
- 08 PRODUCT OVERVIEW
- 09 LOADING AND UNLOADING
- 10 TECHNICAL SOLUTIONS
- 12 ACCESSORIES
- 18 SERVICE + CONTACT



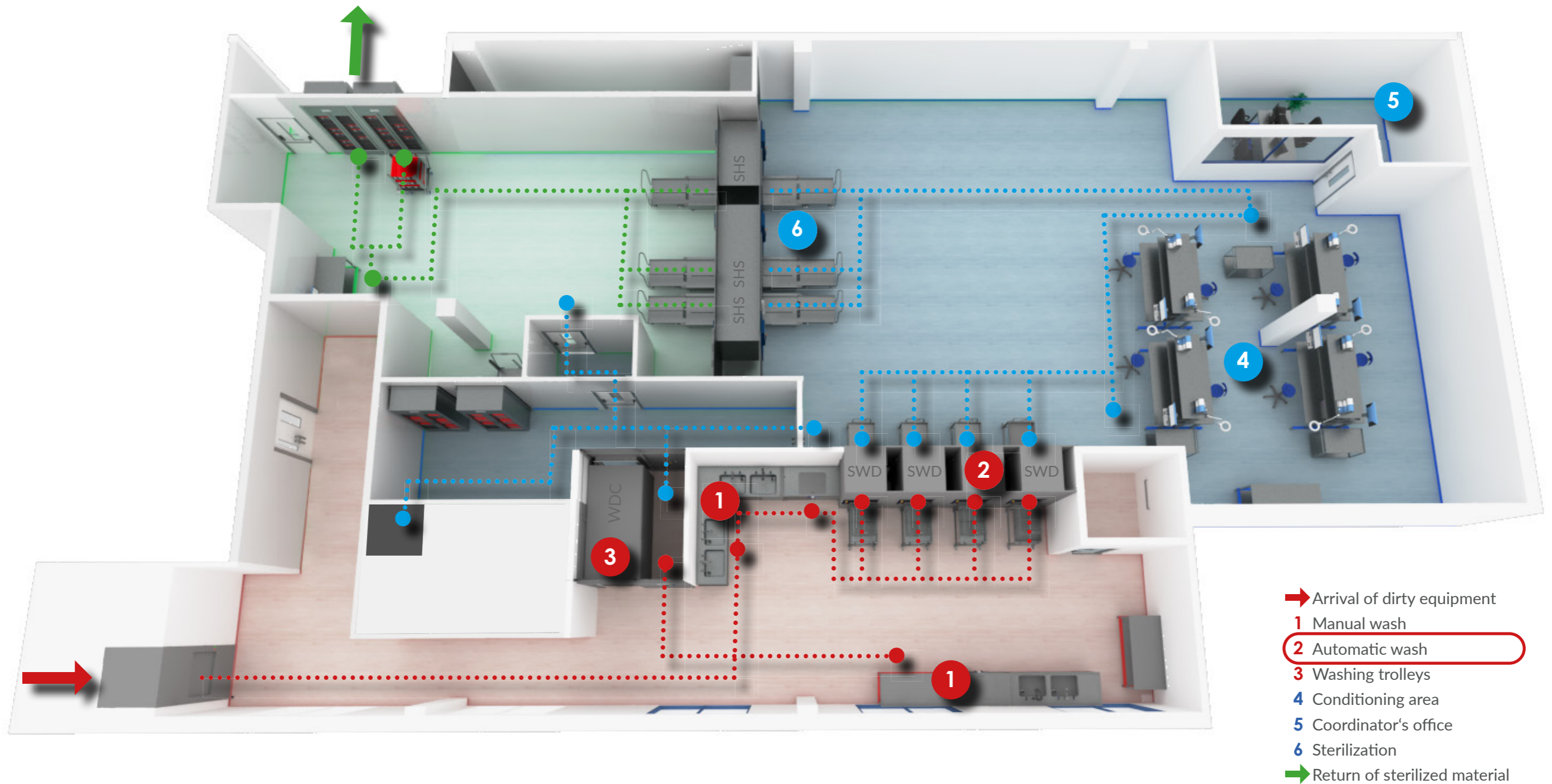
## INNOVATIVE NEW PRODUCTS PRESENTED IN BRIEF THE NEW GENERATION OF OUR FULLY AUTOMATIC MEDICAL WASHER DISINFECTORS



## Medical Washer Disinfectors

SCHLUMBOHM has developed a complete range of next generation thermo disinfectors that meet the need for high productivity, low environmental impact requirements and the need for ease of use. Our devices are equipped with high-tech solutions that guarantee the safety of users, and that meet the standards for washing quality and thermal disinfection level.

Equipped with high-quality, commercially available component parts, our washer disinfectors combine a high degree of operational safety with innovative technologies to reduce operating costs. The devices meet all the requirements of a market in which maximum safety, absolute reliability, and reproducible reprocessing processes are indispensable.



The SCHLUMBOHM washer disinfectors are compliant with DIN EN ISO 15883 and suitable for the reprocessing of surgical instruments, anesthesia material, minimally invasive instruments and laboratory utensils. The devices are CE marked according to Directive 93/42 EEC, tested and approved by a Notified Body and DIN EN1717 DVGW certified.



# Technical Specifications



- SPEED-CYCLE Concept - Additional boilers for water preheating speed up the washing phases. Total cycle time is reduced by up to 50%. Reuse of demi water for the next cycle. Saving of water and energy.



- ESS Energy Saving System - Condenser for condensation of chamber vapors during the washing and disinfection cycle. The air escaping from the labyrinth is free of moisture and can be discharged into the environment. The drying air preheats the demineralised water during boiler filling. Save water and cooling time.

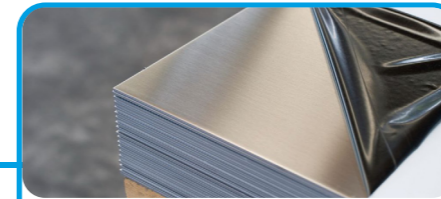
- Powerful microprocessor control - Microprocessor for the management, control and safety of the equipment during all phases of operation.



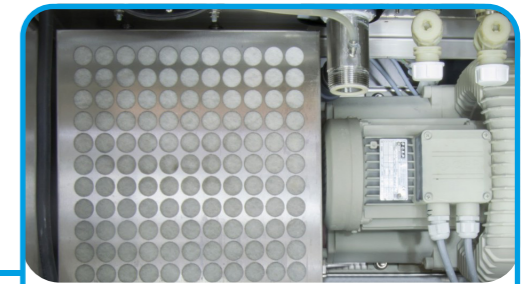
- Electropolished washing chamber - Stainless steel AISI304.



High resistance double-glass door with argon or krypton gas inside.



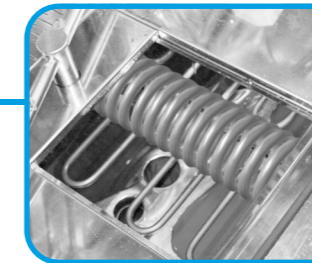
Load-bearing structure and paneling made of AISI 304 stainless steel.



- Drying with HEPA filter H14 - Drying unit equipped with a filter bacteriological absolute, turbo fan and heating system with electric resistors.



- Safe process sequences - Through monitoring of all work steps. Supplemented by automatic trolley detection, waste water cooling, pump pressure and media volume monitoring, final rinse water monitoring / conductivity measurement and automatic spray arm monitoring.



- Variable switching steam / electric heating - Heating system (simple or combined) of the washing solution by using electricity and / or steam.



Storage compartment for detergents with metering pumps complete with flow meters and draft lances.



- ETS-Total emptying- Solenoid valve or pump for the discharge of the chamber and the circuit.



## Product Overview

Model	Capacity liters	Capacity DIN Trays	Chamber Dimensions (WxHxD)	Overall Dimensions (WxHxD)
SWD.8.1MD.E	165	8	550 x 600 x 500 mm	600 x 860 x 650 mm
SWD.8.1MD.E.L				900 x 860 x 650 mm
SWD.8.1MD.E.L.SC				
SWD.10/12.1MD.E/HE/EHE	265	10 / 12	560 x 800 x 585 mm	650 x 1.850 x 670 mm
SWD.10/12.1MD.E/HE/EHE.SC				650 x 2.200 x 670 mm
SWD.10/12.2MD.E/HE/EHE				650 x 1.850 x 700 mm
SWD.10/12.2MD.E/HE/EHE.SC				650 x 2.200 x 700 mm
SWD.10/12.1VD.E/HE/EHE	265	10 / 12	560 x 800 x 585 mm	680 x 1.950 x 670 mm
SWD.10/12.VD.E/HE/EHE.SC				680 x 2.300 x 670 mm
SWD.10/12.2VD.E/HE/EHE				680 x 1.950 x 700 mm
SWD.10/12.2VD.E/HE/EHE.SC				680 x 2.300 x 700 mm
SWD.15/18.1VD.E/HE/EHE				430
SWD.15/18.1VD.E/HE/EHE.SC	1.000 x 2.300 x 860 mm			
SWD.15/18.2VD.E/HE/EHE	1.000 x 1.900 x 900 mm			
SWD.15/18.2VD.E/HE/EHE.SC	1.000 x 2.300 x 900 mm			

1MD / 2MD Single / Double - Manual folding door  
 1VD / 2VD Single / Double - Automatic vertical sliding door  
 E: electric heating inside the machine.  
 HE: heat exchanger inside the machine.  
 EHE: combination of the two types of heating.  
 L: Large  
 SC: Speed Cycle

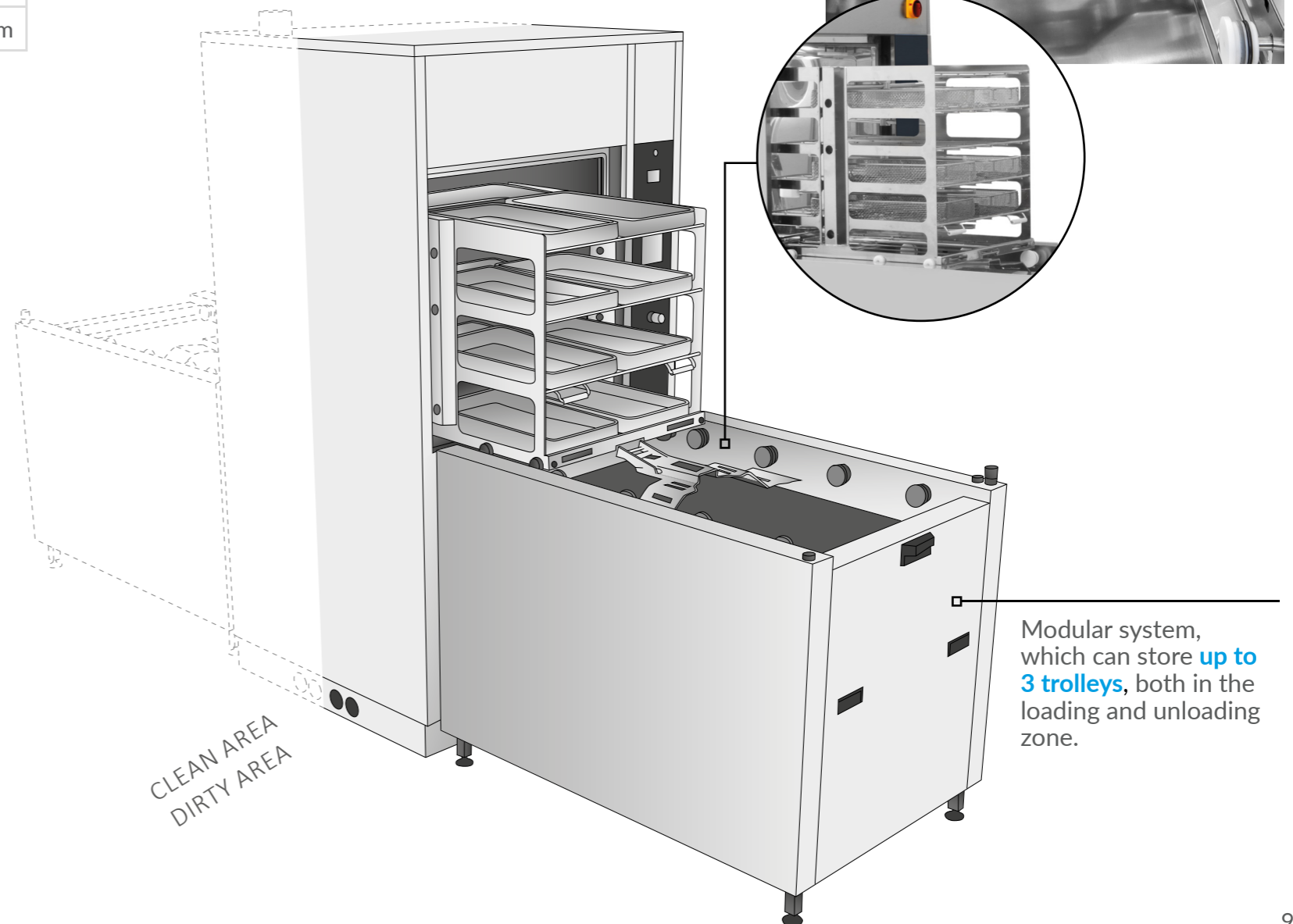


## Automatic Loading and Unloading system

Automatic loading and unloading system that allows to speed up and simplify workflows in big sterilization departments

The loading and unloading operations are easy and intuitive: the washing trolley is automatically transported in front of the door, which, if the device is free, automatically opens. The trolley is pushed in the washing chamber, the door closes and the specific cycle for the inserted trolley starts. When the cycle is complete, the unloading door opens and, if the unloading system is free, the trolley is pulled out.

The system is modular, to adapt to every kind of department configuration, and can store up to 3 trolleys both on the loading and on the unloading zone. If that is the case, of course, a controller takes care of avoiding any kind of impact between trolleys.



## Technical solutions for different applications

The **SWD** line offers a wide range of specific devices according to the material to be treated, to maximize the efficiency of the washing and disinfection phases ...



For the treatment cycle of the **surgical instruments** a wash trolley has been designed equipped with impellers that perfectly cover the washing and disinfection area.



For the **container** treatment cycle, a floor washing trolley has been designed, which simultaneously allows the loading of the sterilization containers and their lids with the impellers that perfectly cover the washing and disinfection area.



For the **hospital shoes** treatment cycle a washing trolley has been designed that allows the loading of the plinths with the impellers that perfectly cover the washing and disinfection area.

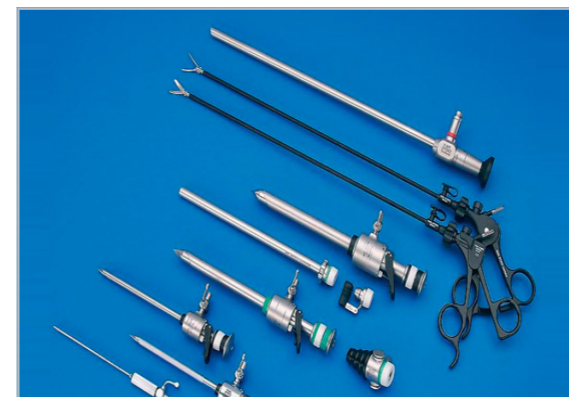


For the **glassware** treatment cycle, a washing trolley has been designed that allows the safe positioning of glass containers of different sizes with the impellers that perfectly cover the washing and disinfection area.

## Technical solutions for different applications



For the cycle of treatment of **anesthesia kits**, a trolley has been designed that allows the different components of the kit to be loaded with the impellers that perfectly cover the washing and disinfection area.

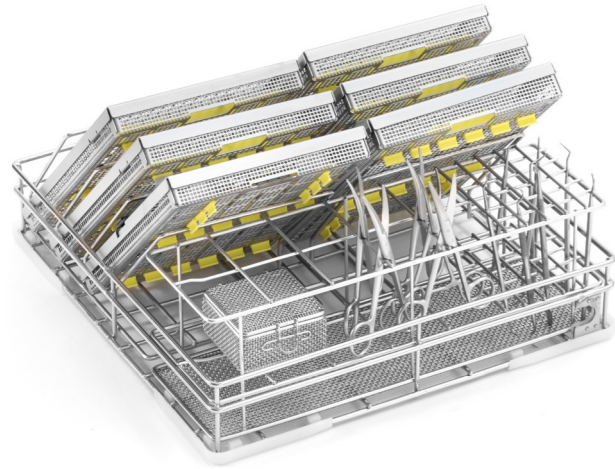


For the treatment cycle of **mini-invasive and tubular instruments**, a washing trolley has been designed that allows the loading of the various instruments through quick and flexible connections with the impellers that perfectly cover the washing and disinfection area.

You are looking for information for a  
**laboratory washer disinfector?**

Please ask for our separate brochure for laboratory washer disinfectors ... please contact our sales department.  
We are looking forward to your inquiry.





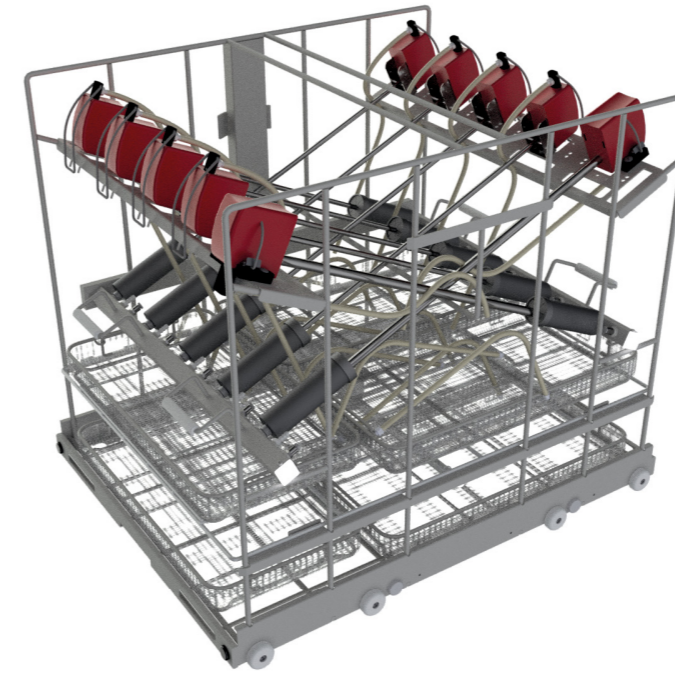
**Standard washing basket**

Washing basket, basic version. Designed for various inserts and accessories.



**5 level washing trolley**

Washing trolley with spray arms and 5 levels. Suitable for washing large quantities of surgical instruments.



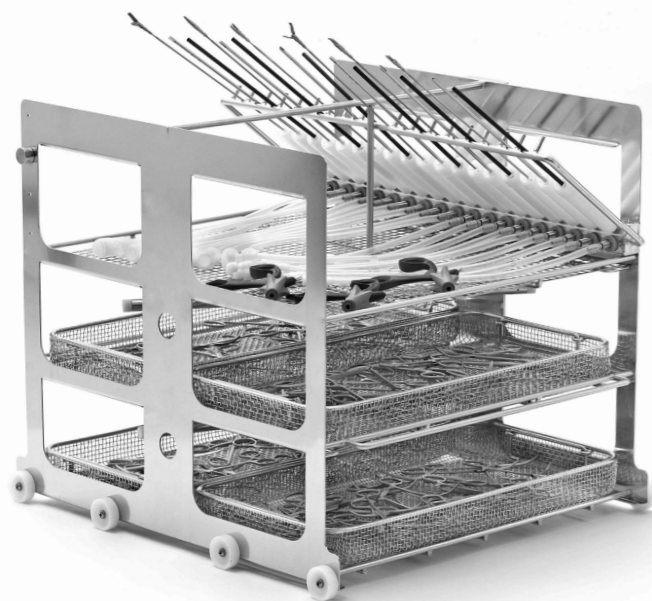
**Da Vinci washing trolley**

Washing trolley for Da Vinci instruments Si-Xi series to use with Da Vinci connection kits.



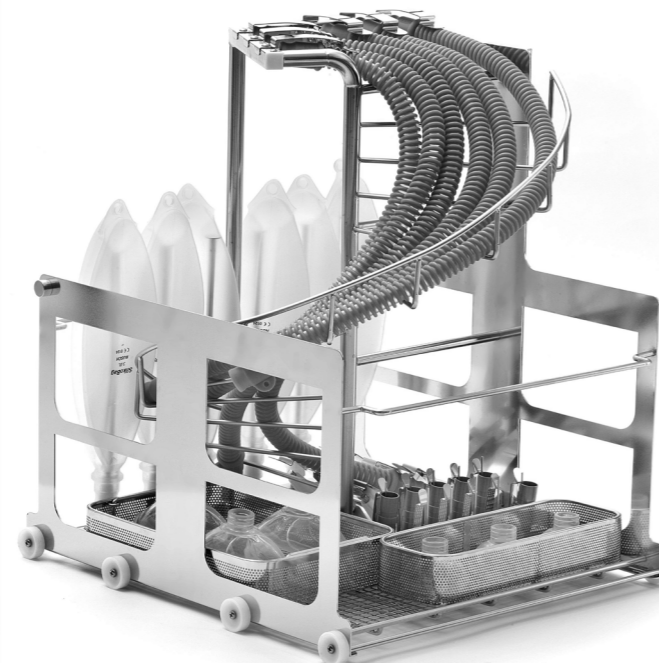
**Operating room shoes washing trolley**

Washing trolley with support for washing operating room shoes. Suitable for washing up to 32 rubber shoes (16 pairs).



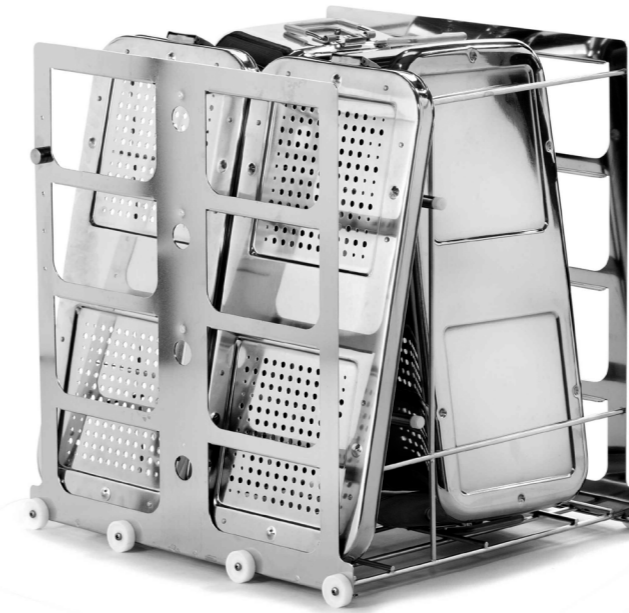
**Mini invasive washing trolley**

3 levels washing trolley with spray arms and 36 positions (9 luer locks + 9 silicon pipes + 18 guard connections for tubular hollow instruments with diameter of 3-7 mm) for washing universal mini invasive surgery instruments.



**Anesthesia washing trolley**

Washing trolley for washing anesthesia instruments.



**Containers washing trolley**

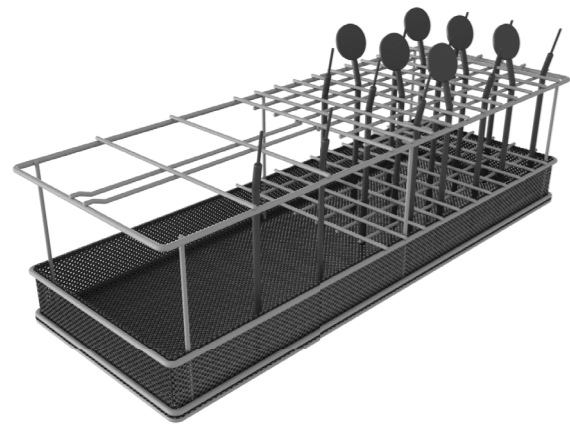
Washing trolley for containers and trays.



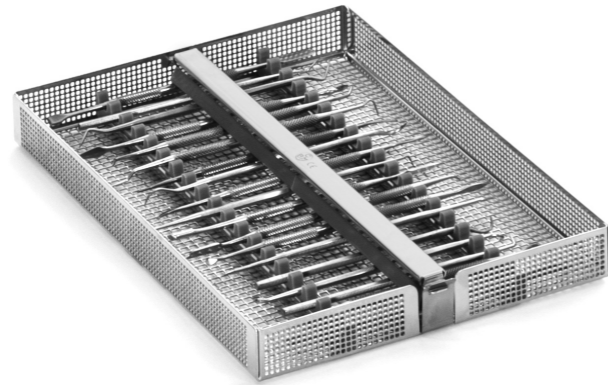
**Transferring trolley**

Loading trolley with block system to load washing trolley into the machines.

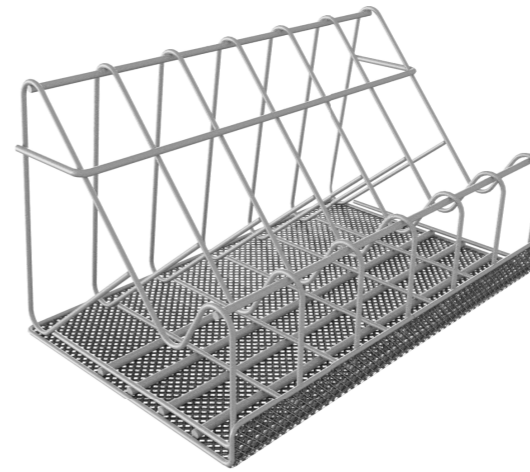




Insert for washing vertical instruments



Basket with two silicone supports



Basket for washing speculus



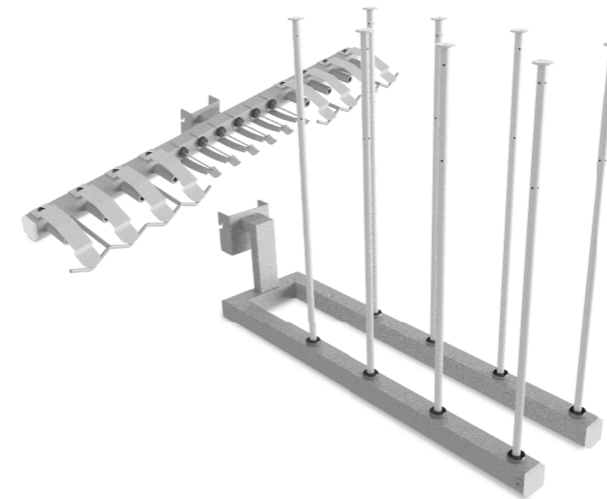
Standard DIN basket with handle for washing medium-sized instruments



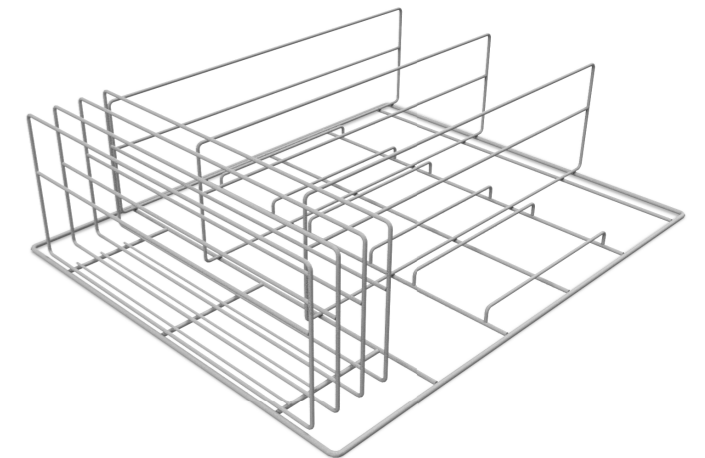
Insert for washing trays and cassettes



Basket for washing teats and rings for biberon



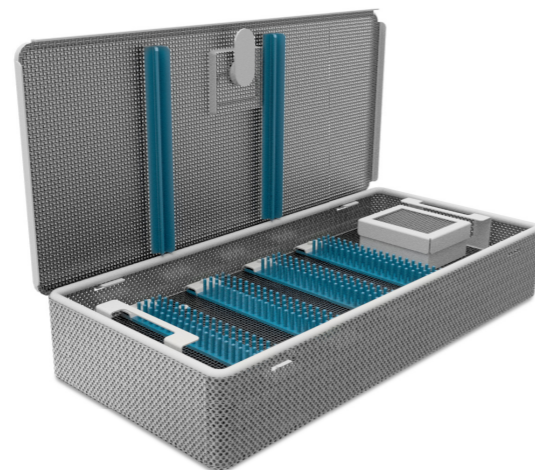
Insert for washing flexible pipe and anaesthetic balloons



Insert for washing containers



Basket for washing biberon



Ophthalmic basket with lid

**You want to know more about this product?**

... please contact our sales department.  
We are looking forward to your inquiry.  
Your SCHLUMBOHM Team

[vertrieb@schlumbohm-medlab.com](mailto:vertrieb@schlumbohm-medlab.com)



# Range of services



## STEAM STERILIZERS + AUTOCLAVES

### SHS Series + SLS Series

The new generation of fully automatic SCHLUMBOHM steam sterilizers/autoclaves of the SHS + SLS series is the product of cutting-edge development work and proven, advanced equipment technology for everyday use in the medical field. An easy User-interface, energy and resource-saving technology, and optimal accessibility for maintenance and service were key considerations in this pioneering development.



## MEDICAL + LABORATORY WASHER DISINFECTORS

### SWD Series + SWD LAB Series

The devices of the SWD + SWD LAB series are the ideal washer disinfectors for the safe and efficient reprocessing of surgical instruments, minimally invasive instruments, anesthesia materials, containers, surgical shoes, and laboratory utensils. In addition to an appealing design and compact size, innovative features to enhance process reliability and compliance with DIN EN ISO 15883 were prioritized during their development.



## LARGE-CAPACITY WASHER DISINFECTORS

### WDC Series

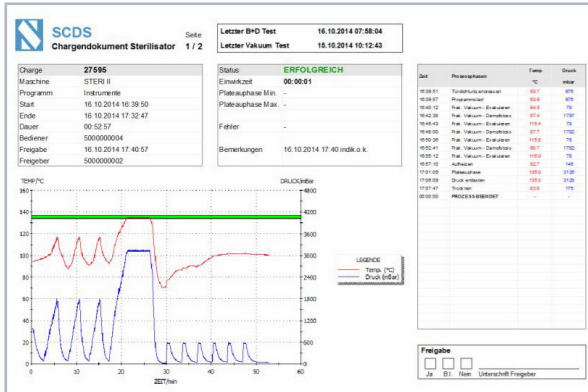
Large-capacity washer disinfectors are designed for the reprocessing of medical devices, as well as large-volume goods such as transport trolleys, containers, surgical shoes, and more. The development of these washer disinfectors took into account aspects such as safety, hygiene, durability, reliability, low maintenance, and resource-saving usage. These devices ensure a high level of operator safety while delivering optimal cleaning results.



## STEAM DISINFECTION SYSTEMS

### SHD Series

Large-scale disinfection systems utilizing the VSV process are designed for the effective disinfection of large-volume goods, primarily for infection prevention purposes. These systems are particularly suitable for economically disinfecting substantial quantities of solid and porous items such as mattresses and pillows. The latest generation of high-tech solutions has been developed with a focus on economy, resource conservation, and user-friendliness, ensuring maximum operator safety and achieving optimal disinfection results.



## BATCH DOCUMENTATION

### SCDS

The SCDS batch documentation system provides a comprehensive system solution for complete sterile material documentation. It has been specifically developed to enable fast, simple, and secure documentation that fulfills all legal requirements. All work steps in the treatment process are meticulously recorded, documented, and stored. As a result, the time needed for documenting processes in the sterile material supply department is significantly reduced.

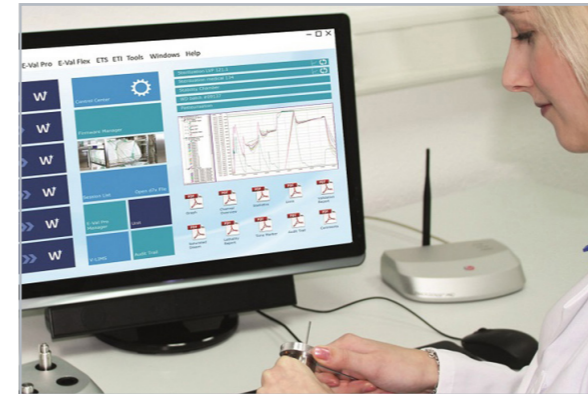
# Range of services



## MEDICAL WASTE TREATMENT

### Truster T-Series

Truster: a technology to be trusted for "biohazard" waste treatment in total safety and respecting eco-sustainability. The purpose of biohazard waste treatment must be to sterilize them and make them unidentifiable and non-reusable. A combined process of mechanical grinding and saturated steam sterilization without any risk of aerobic pollution and of bad smell emission.



## VALIDATION

### Quality assurance during reprocessing

Due to our high professional standards in the fields of cleaning, disinfection, and sterilization, we have a team of qualified application engineers available to assist you. When validating treatment processes, our focus is on implementing quality assurance measures and ensuring the requirement of reproducible processes in the treatment of medical devices. We are here to help you analyze and optimize your treatment process.



## CARE COMBINATIONS

### AF2 Series

Bedpan washers and care combinations are designed for fully automatic emptying, cleaning, and thermal disinfection of bedpans, urine bottles, and other vessels used for human excreta. These systems fully comply with the requirements of the German Medical Devices Act (MPG), the Medical Devices Operator Ordinance (MPBetreibV), DIN EN 15883 Parts 1 and 3, and the recommendations of the Robert Koch Institute (RKI) on "Requirements for hygiene in the reprocessing of medical devices".



## STAINLESS STEEL FURNITURE

### Functional furniture

Our medical functional furniture, crafted with high-quality materials and excellent workmanship, is renowned for its adherence to the highest hygiene standards, extensive functionality, and individual adaptability. The use of stainless steel grade 1.4301 ensures not only resistance to disinfectants but also a prolonged lifespan compared to other materials.

## OR-TABLES / OR-LIGHTS



## TABLE TOP STERILIZERS



## CSSD AUTOMATION



... and more. Please contact our sales department. We will find the right solution for you.

# Europe-wide 24-hour emergency service

SCHLUMBOHM

Medizin-Labor-Technologie-Hamburg GmbH

Grenzkehre 1, 21079 Hamburg, Germany

Phone: +49 (0) 40 - 76 91 50 0

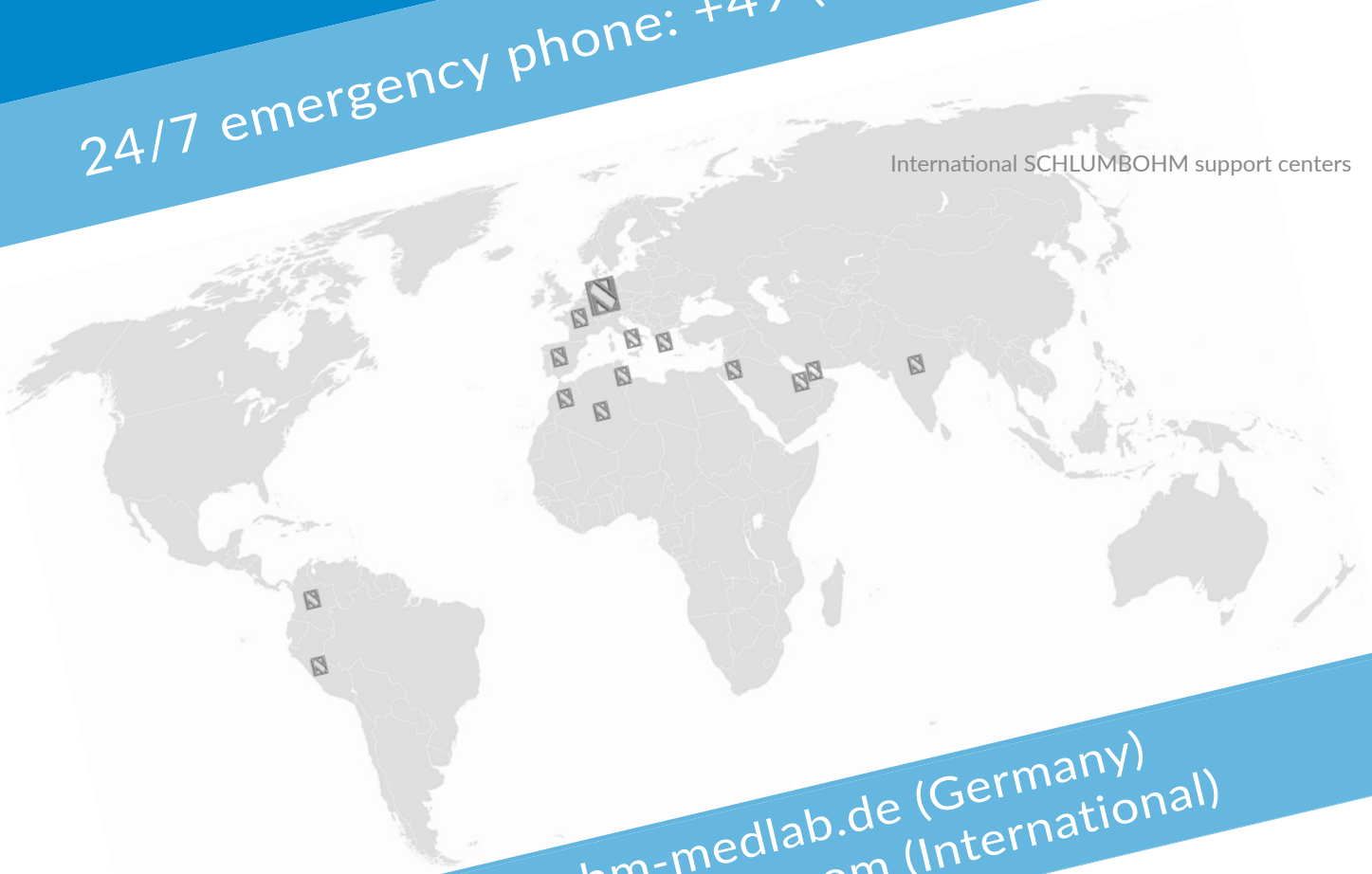
Fax: +49 (0) 40 - 76 91 50 26

E-mail: info@schlumbohm-medlab.com

STAMP



24/7 emergency phone: +49 (0) 171 - 4 77 49 75



International SCHLUMBOHM support centers

[www.schlumbohm-medlab.de](http://www.schlumbohm-medlab.de) (Germany)  
[www.schlumbohm-medlab.com](http://www.schlumbohm-medlab.com) (International)



Rev. 07 - 11/2022



*goes green!*

EN ISO 14001 CERTIFIED

07/2023DP